

### CAT No - UJB-20130

#### APPLICATIONS & FEATURES

TRI-FLP Make Flameproof Camera Enclosure is made of cast aluminum alloy LM6 and 304 or 316L stainless steel and are designed fully considering the product firmness and airtightness. The camera Enclosure has achieved several global accredited explosion-proof certifications such as CIMFR, BIS, PESO ATEX. The Model satisfy some special scene's application. During the product manufacturing process, every stage is under strict control to maximally guarantee the product quality. TRI-FLP Make Flameproof Camera Enclosure are widely applicable to petroleum refineries, chemical plants, dusty workshops, gasoline stations, gas stations, metal factories, etc., and supplies high-quality and stable video surveillance.

Type of ex protection	Ex db
Gas Group	IIA,IIB,IIC
Zone Classification	Zone 1 & 2
IP Rating	66
Zone Classification	Zone 1 & 2
Ambient Temp.	-20 to 60
Temp. Class	T6 with -20 to 60C
Rated Power	30AMP
MOC	LM6/SS304/316
Earthing	Internal & External
Finish	EP Powder coating
IS Approvals	CIMFR/BIS/PESO
EU Approvals	ATEX,QAN

#### TRI-FLP ENGINEERS PVT. LTD.

Gala No 7, Gulmohar Park, Plot No A-164, 165, MIDC, Phase-I, Near Bhavana Transport, Opp Suzuki Service Dombivali E, Dist Thane 421204, Maharashtra, India.

Tel : +91 0251 2433393 / 2452001 / 2440071 / 2440081

Email : vikas@trimurtitripl.com / triflp@gmail.com

Web : www.explosionproof.co.in

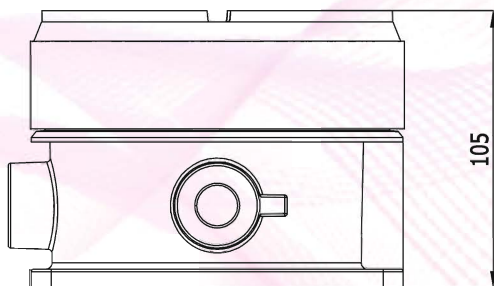
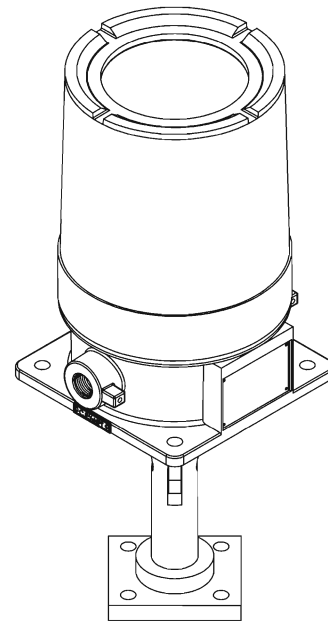
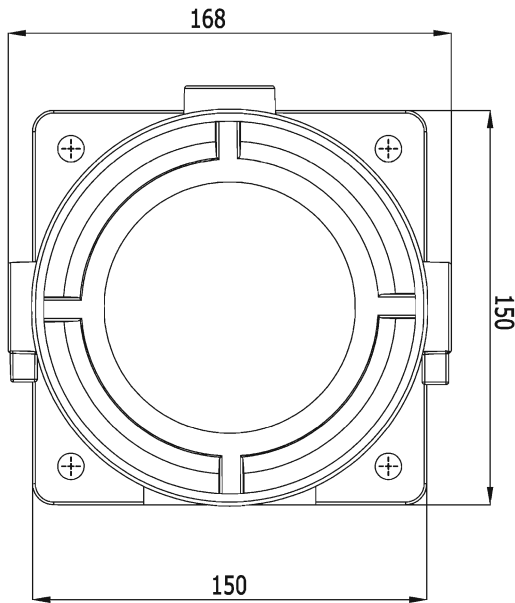


# Ex

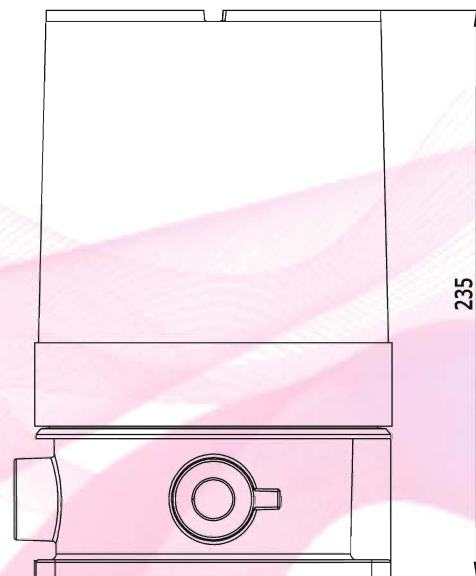
## LED FLAME-PROOF LIGHT TUBE / FLOOD TYPE

# TRI-FLP

Engineers Pvt Ltd



SUITABLE FOR DOME CAMERA  
INNER DEPTH 75MM



SUITABLE FOR BULLET CAMERA  
INNER DEPTH 150/200MM

### TRI-FLP ENGINEERS PVT. LTD.

Gala No 7, Gulmohar Park, Plot No A-164, 165, MIDC,  
Phase-I, Near Bhavana Transport, Opp Suzuki Service  
Dombivali E, Dist Thane 421204, Maharashtra, India.

Tel : +91 0251 2433393 / 2452001 / 2440071 / 2440081

Email : vikas@trimurtitripl.com / triflp@gmail.com

Web : www.explosionproof.co.in

